

Renewable power for international operations

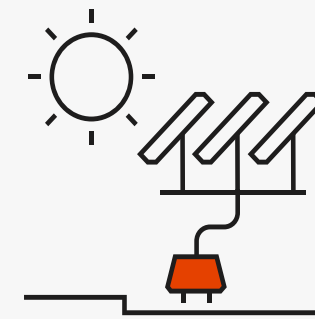
Release by Scatec Solar delivers **solar energy** through short-term leasing of solar and storage solutions.

We increase access to solar energy through our **2 GW of experience** and proven track record from working in complex environments and with international operations.

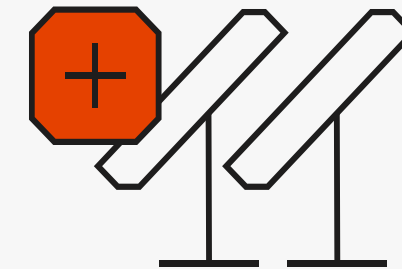
www.releasesolar.com
release@scatecsolar.com



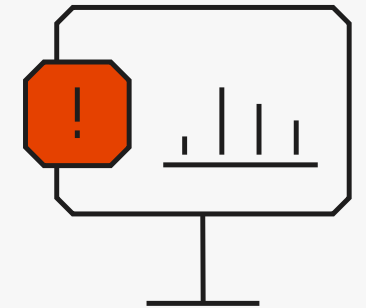
Prefinanced by Scatec Solar



Technical excellence with 2 GW of solar power experience



Scalable and movable with flexible contract duration



Guaranteed performance with 24/7 monitoring, maintenance and support

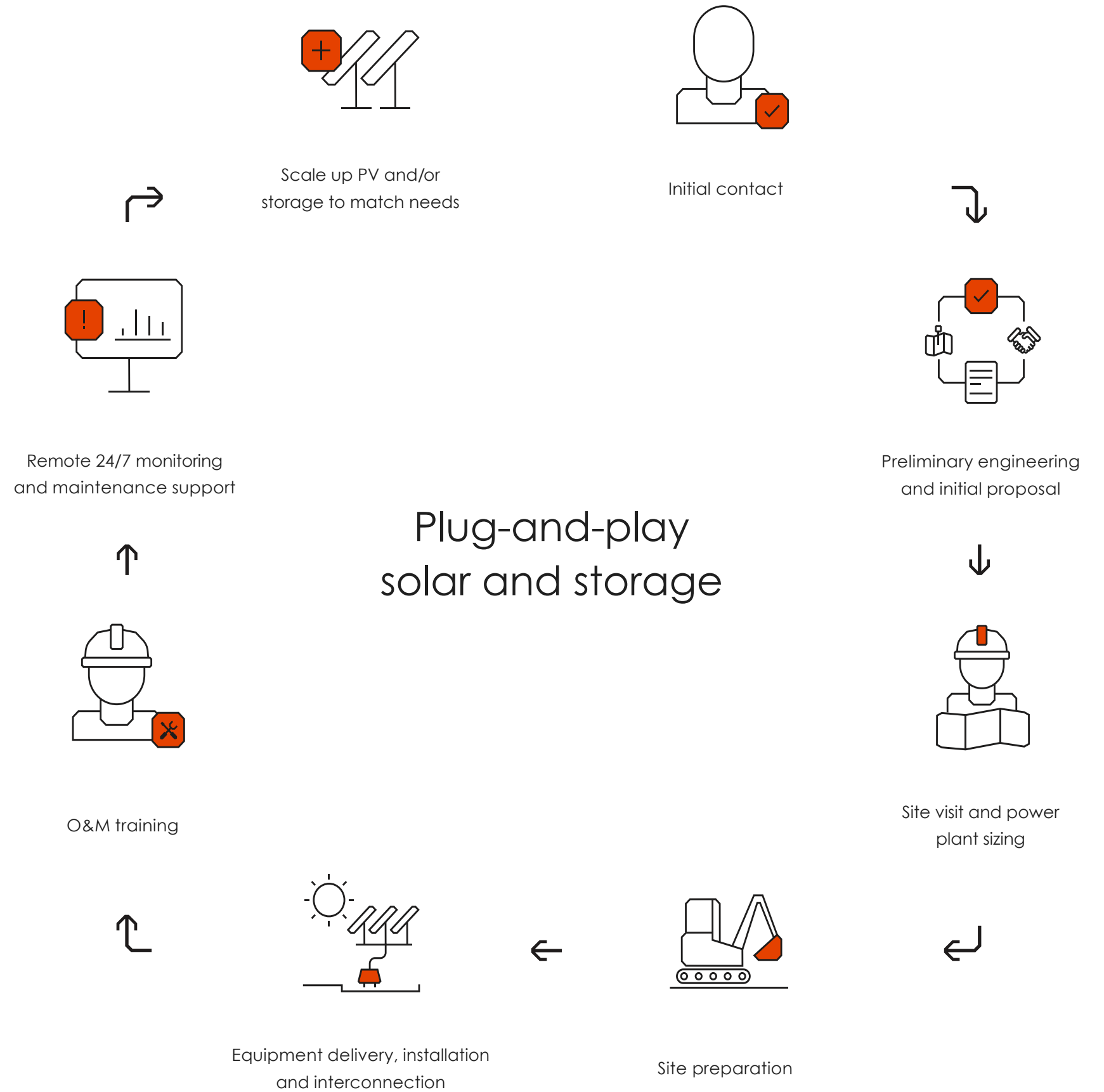
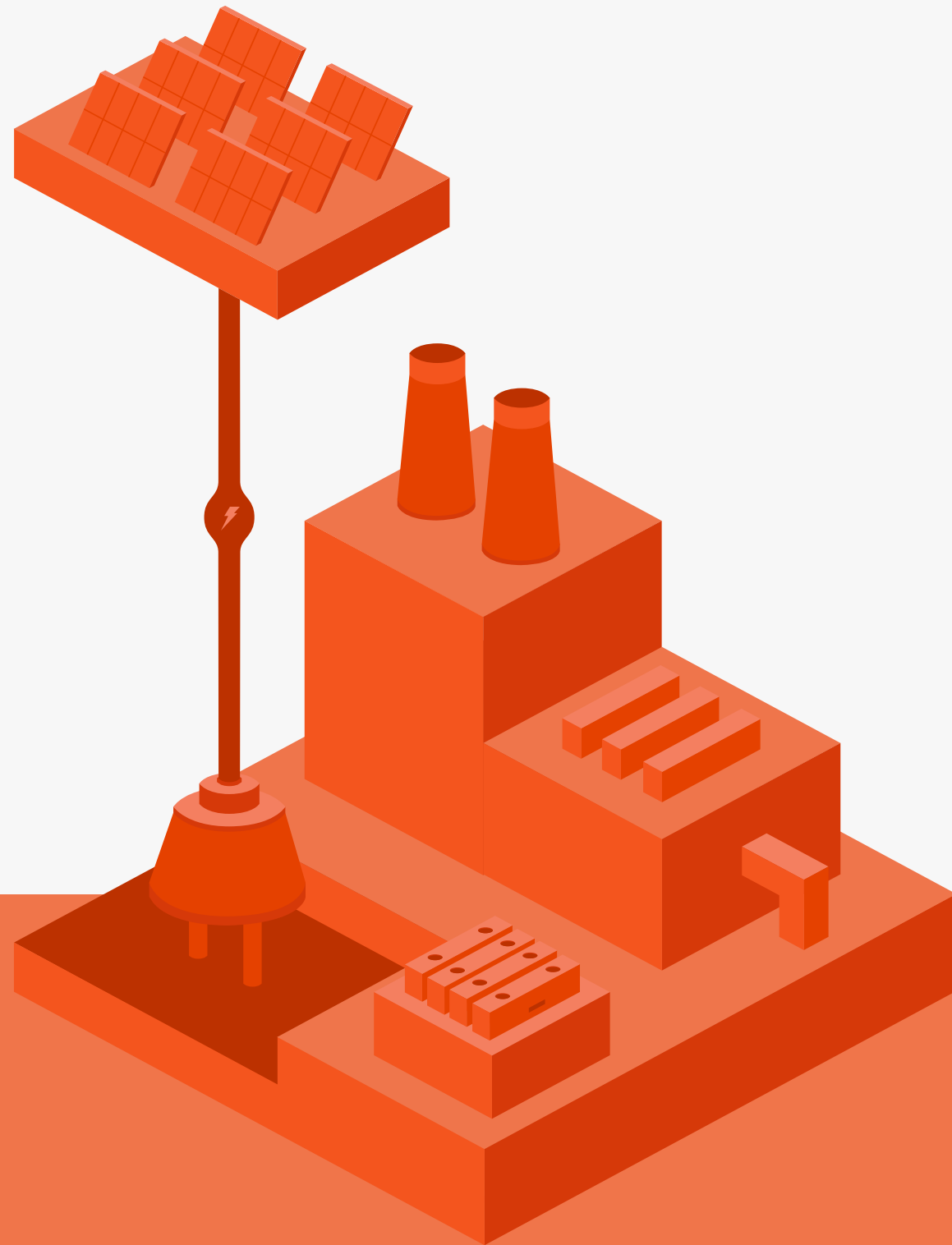
Example: Greening humanitarian operations for IOM in South Sudan



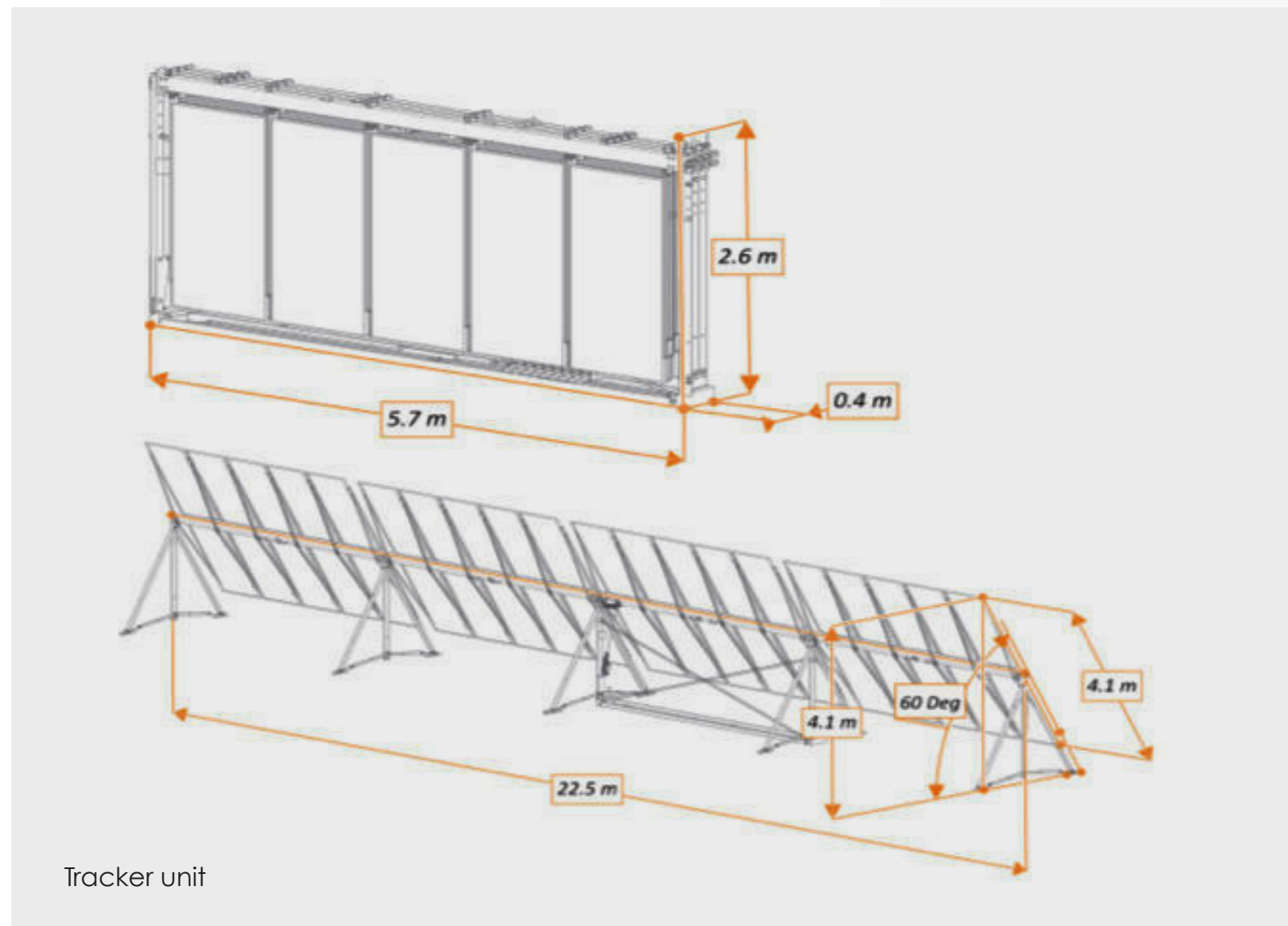
Photo: IOM

- Scatec Solar has delivered a hybrid solar and storage solution to the International Organization for Migration's (IOM) humanitarian camp in Malakal, South Sudan.
- The plant is delivered under a leasing contract, where power is paid on a monthly basis. The installation will be taken over by IOM if the contract is extended up to 10 years.
- The plant provides 80-90 % of the power at the camp: IOM reduces emissions by 300 tonnes CO₂/year and power costs by 300,000 USD/year.
- We provide 24/4 monitoring, analysis, and maintenance from our Control & Monitoring Centre in Cape Town, and guarantee plant performance.
- A successful example of reducing carbon emissions from operations with available technology and financing solutions.

Together we make the future green



Technical specifications



Redeployable solar tracker unit

Type	Independent row horizontal single axis with backtracking
Range	60 degrees (East-West)
Drive system	Linear actuator
Control	Wireless communication, automatic stowing at high wind speeds
Configuration	2 portrait
Unit weight	< 2,500 kg
Anchoring	Ground anchors suitable for most ground conditions

Solar container

Container	40' High Cube
Trackers	10 tracker units, from 152 kW
Modules	400, pre-mounted
Module type	72 cell mono-perc, bifacial, glass-glass, 380-400 Wp
Inverters	2 String inverters

Scalable solar block

Standard block	5 containers
Land requirement	From 1.5 ha/MWp (with 10m row spacing)
DC capacity	From 760 kWp (module dependent)
AC capacity	660 kVA
LV output	Single output AC combiner, 380-480 V
MV output	As required, to site voltage level. Compact miniature substation
Scalability	By multiples of standard block

Technical specifications

Energy management system

Compatibility	Grid/off-grid
Applications	Solar, energy storage, thermal (diesel, HFO)
Control	Ensuring stability of power supply and optimised solar dispatch

Energy storage

System	Standalone battery and inverter cabinets including Battery Management System
Technology	Lithium-ion. Pre-assembled, skid mounted or containerised
Charge/discharge Power	Scalable from 100 kW to several MW
Capacity	Scalable from 400 kWh to several MWh
Discharge duration	From 2C (0.5 hour) to 0.25C (4 hours)
Lifetime	10-15 years to 70% residual capacity

